

Addressed module 1 input



Addressable module with 1 input. Input connection in Alarm or Fault mode.
 Programmable operating criteria. 1 output for optical repeater. 1 input status indicator LED.
 Module operating statuses can be used as operands in formulas.
 RSC® management: programming, remote management and control. Loop connection. Dual short-circuit isolator.
 Surface mounting. Protection rating IP4x. ABS casing. White colour.
 Dimensions (L x H x D) 69.5 x 49.8 x 17mm (dimension L can be reduced to 49.8mm).
 Approved EN 54-18:2005/AC:2007 - EN 54-17:2005. Certification: 1293-CPR-0490.

MODEL		RSC®	EN 54-18 54-17	1 INPUT	1 LOGICAL UNIT	OPERAND FORMULA	ABS BOX
Name	Item no.						
TFM10	TF4TFM10						

OBLIGATIONS AND WARNINGS

The TFM10 module must only be used when connected to a detection loop of a Tecnofire analogue addressed control panel. Current regulations must be observed and applied during the design and installation phases.

LOGICAL UNITS

The module consists of one physical/logical unit (one input).

ADDRESSING

The module's physical identification address is programmed using two decimal rotary switches.
 Each switch features a low-relief marker indicating the digit of the physical address: X10 for tens and X1 for units.
 The numerical range for module addresses is from 01 to 99.
 Caution: Setting the address to 00 effectively disables the module; however, its current consumption will still affect the Loop.

LINE ISOLATOR

The module is equipped with a line separator with a double isolator. In the event of a short circuit on the Loop line, the separator trips to isolate the faulty section, ensuring the correct operation of devices connected upstream and downstream.
 The activation of the line separator preserves the loop's regular operation and generates a "Separator open" fault signal.

	LOGIC UNIT	PHYSICAL ADDRESS
1 LOGICAL UNIT	1 input	
1 INPUT		



TECNO-INPUT MODULE PROGRAMMING

One of the eight available functional criteria can be assigned to the TECNO-input module.

The input status is displayed by the monitor LED.

The input is equipped with a dedicated output for managing a remote optical repeater signaling indicator.

CONTACT TYPE	
ACTIVATE ALARM	EOL RESISTOR (FAILURE)

FUNCTIONAL CRITERIA	
Generate alarm	The activation of the input triggers an alarm
None	The activation of the input does not trigger direct actions; this criterion can be used within a logic formula
Generate acknowledgment	Non-EN 54 function - The activation of the input silences the current event
Generate reset	Non-EN 54 function - The activation of the input triggers a system reset
Stop/reset sirens	Non-EN 54 function - The activation of the input silences and restores the system's siren outputs
Feedback	The activation of the input is used to verify the execution of a command (Feedback)
Stop/reset sirens - status	Non-EN 54 function - The activation of the input follows the status of the Silence/Restore Sirens command
Exd./reset output - status	Non-EN 54 function - The activation of the input follows the status of the Exclude/Restore Outputs command

TEST FUNCTIONS

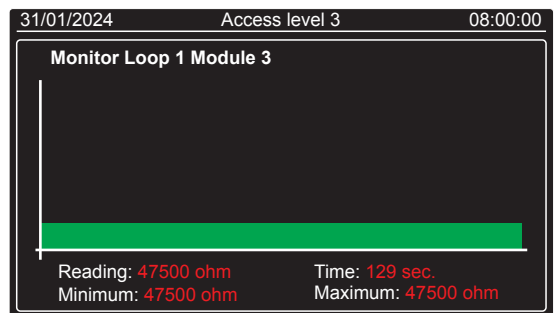
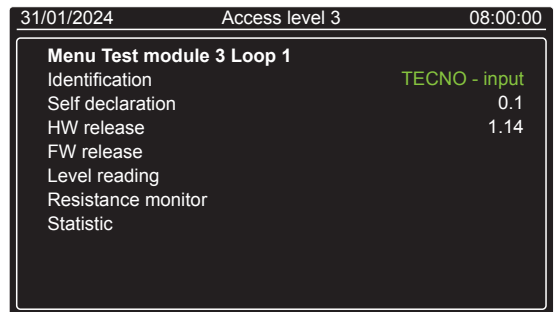
Tecnofire control panels manage a series of specialized Test and diagnostic functions for each type of module.

The functions available for the TECNO-input module are indicated in the following tables.

TECNO-input MODULE DIAGNOSTIC FUNCTIONS	
Identification	Turns on the device LED for identification
Self declaration	Self declaration of the module type
HW release	Self declaration of the hardware version
FW release	Self declaration of the firmware version
Level reading	Detection of operating electrical values
Resistance monitor	Line termination resistance measurement monitor
Statistic	Statistic/functional values related to communication

Consumption
Power supply level
Zero level
Consumption level
Loop resistance

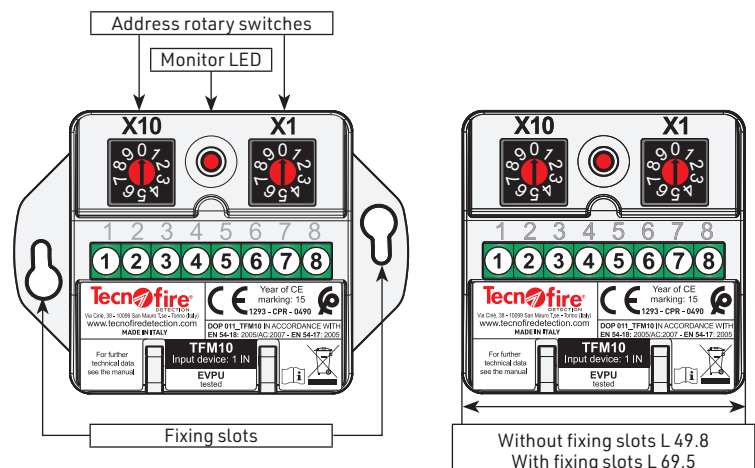
Strings sent
Errors
Percentage of success
Percentage of errors
Latency



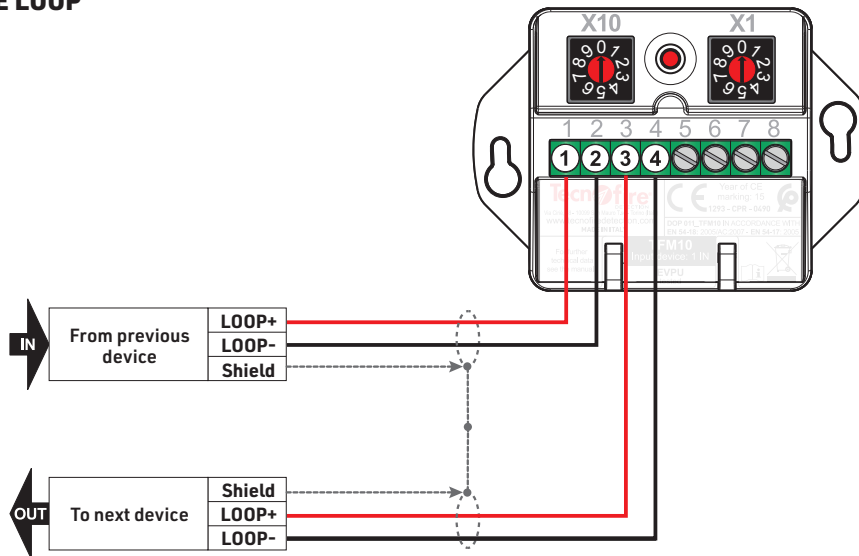
OVERVIEW

1	Loop input +
2	Loop input -
3	Loop output +
4	Loop output -
5	Optical repeater reference negative
6	Optical repeater output
7	Input
8	Input reference positive

INPUT MONITOR LED	
Loop Monitor	Flashes if not disabled
Signaling	LED ON

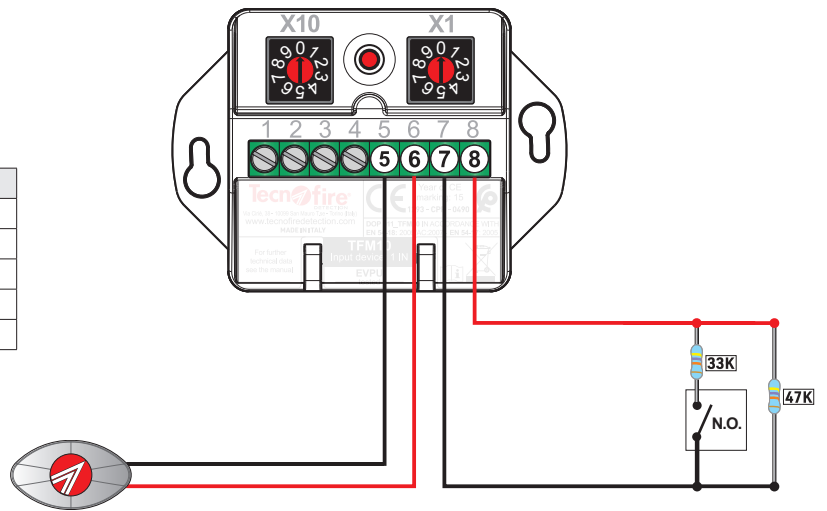


CONNECTION TO THE LOOP

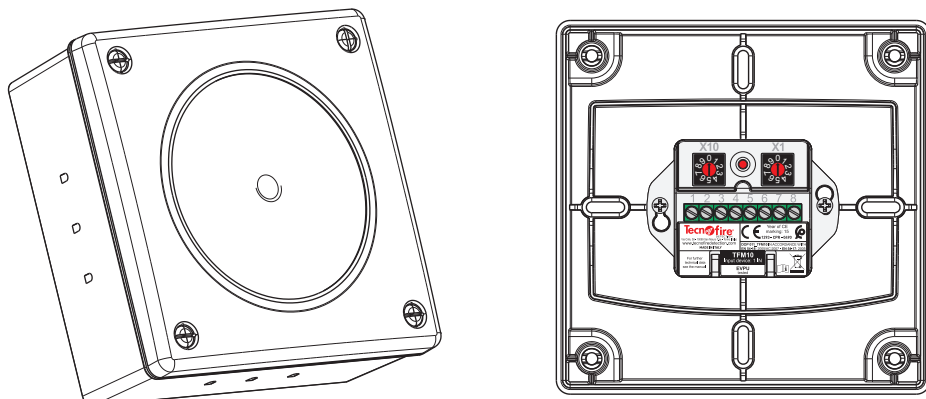


INPUT CONNECTION






INPUT FUNCTION / OPERATING STATES	
ACTIVATE ALARM	EOL RESISTOR (FAILURE)
Fault (short circuit)	Fault (short circuit)
Alarm	General fault
Standby	Standby
Fault (open circuit)	Fault (open circuit)



ACCESSORY - TFBOX-M



Accessories

	<p>TFBOX-M Junction box with fixing templates for addressable modules. ABS casing. White colour. Dimensions (L x H x D) 136 x 136 x 63mm. Item no. TF5TFBOXM</p>		<p>TFRIP-R Optical repeater, red LED. 360° visibility. Surface mounting. ABS casing. IP22. White colour. Dimensions (L x H x D) 78 x 45 x 25mm. Item no. TF3TFRIPR</p>
	<p>TFRIP-R INC Optical repeater, red LED. 360° visibility. Flush mounting. Protection rating IP67. Item no. TF3TFRIPRINC</p>		<p>TFRIP-V Optical repeater, green LED. 360° visibility. Surface mounting. ABS casing. IP22. White colour. Dimensions (L x H x D) 78 x 45 x 25mm. Item no. TF3TFRIPV</p>
			<p>TFRIP-G Optical repeater, yellow LED. 360° visibility. Surface mounting. ABS casing. IP22. White colour. Dimensions (L x H x D) 78 x 45 x 25mm. Item no. TF3TFRIPG</p>

Technical and functional specifications

General information	Addressed module 1 input	TFM10			
	Available logical units	1			
Programmable functions	Polling frequency	Programmable	Physical specifications	Operating temperature	-15°C...+70°C
	Polling signaling LED	Excludable		Relative humidity (non-condensing)	10%...93%
	Functional criteria	8 mode		Protection class	IP4x (EN 60529)
	Input function	Generates alarm or Generates fault		Casing	ABS
	Generates evacuation alarm	Programmable		Dimensions (L x H x D)	Min. 49.8 x 49.8 x 17mm
				Weight	33g
Loop interface	Addressing	2 rotary switch	Conformity	Standards	EN 54-18:2005/AC:2007 EN 54-17:2005
	Occupied addresses	1		System compatibility	EN 54-13:2020
	Communication protocol	FIRE-SPEED		Certification number	1293-CPR-0490
	Loop isolator	Double insulator		Year of CE marking	15
Specifications Inputs / Outputs	Input current consumption in alarm	2.3mA @ 24V DC		Number of declaration of performance	011_TFM10
	Output for optical repeater	9.4V DC 3mA		Notified body	EVPU
Electrical specifications	Nominal voltage	24V DC			
	Operating voltage	18V...30V DC			
	Consumption	500µA @ 24V DC			

N.B. Declarations of conformity and performance are available on www.tecnofire.com



EVPU
Tested



Tecnofire
DETECTION
by Tecnalarm S.r.l. - Via Ciriè 38 - 10099 - San Mauro T.se - Torino (Italy)
Manufacturing plant: Strada del Cascinotto 139/54 - 10156 - Torino (Italy) - www.tecnofire.com

The product features can be subject to change without notice.

MADE IN ITALY

TFM10 - DATA SHEET - REL. 2.0